

# High Power Red Laser Diode

ADL-63T01NP

6-2D-LD63-086\_Rev.02

## 635nm 0.7W TO9 (9mm) PKG

### Features

- High power
- High brightness
- Long lifetime

### Applications

- Laser display
- PDT
- Biochemistry
- Military
- Medical/Life and health sciences
- Illumination

### Absolute maximum ratings

Parameter	Symbol	Condition	Rating	Unit
Light output power	$P_O$	CW	800	mW
Reverse voltage (LD)	$V_{RL}$	-	2	V
Case temperature	$T_C$	-	-10~+30	°C
Storage temperature	$T_S$	-	-40~+85	°C

### Electrical and optical characteristics ( $T_c=25^\circ\text{C}$ )

Parameter	Symbol	Min.	Typ.	Max.	Unit	Conditions
Peak wavelength	$\lambda$	628	638	648	nm	$P_o=700\text{mW}$
Emitter size		-	50	-	um	
Polarization			TM			
Threshold current	$I_{th}$	-	500	600	mA	
Operating current	$I_{op}$	-	1400	1600	mA	$P_o=700\text{mW}$
Operating voltage	$V_{op}$		2.5	3.0	V	$P_o=700\text{mW}$
Differential efficiency	$\eta$	-	0.85	-	mW/mA	$P_o=20\text{-}200\text{mW}$
Parallel divergence angle	$\theta_{//}$		7		deg	$P_o=700\text{mW}$
Perpendicular divergence angle	$\theta_{\perp}$		22		deg	

\* Sufficient heat dissipation is required for CW operation.

### Precautions

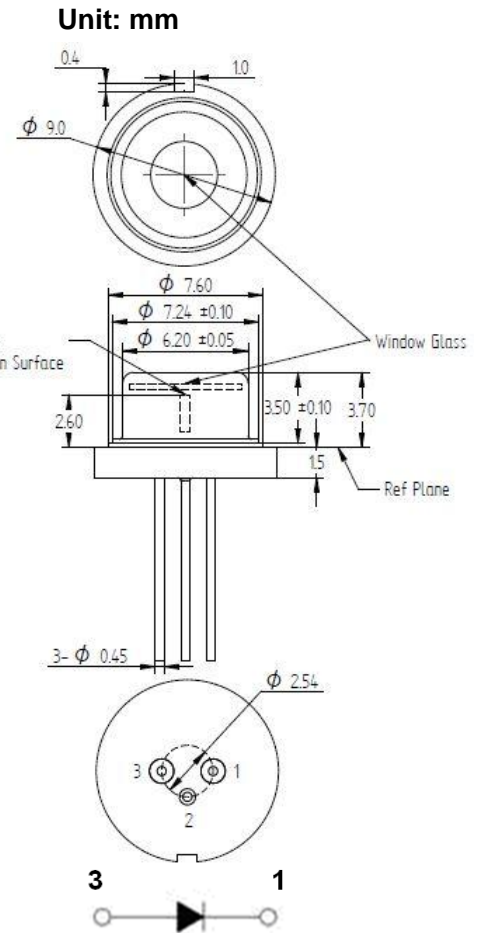
- \* Do not operate the device above maximum ratings. Doing so may cause unexpected and permanent damage to the device.
- \* Take precautions to avoid electrostatic discharge and/or momentary power spikes. A change in the characteristics of the laser or premature failure may result.
- \* Proper heat sinking of the device assures stability and lifetime. Always ensure that maximum operating temperatures are not exceeded.
- \* Observing visible or invisible laser beams with the human eye directly, or indirectly, can cause permanent damage. Use a camera to observe the laser.
- \* No laser device should be used in any application or situation where life or property is at risk in event of device failure.
- \* Specifications are subject to change without notice. Ensure that you have the latest specification by contacting us prior to purchase or use of the product.

### ARIMA LASERS CORP.

PHONE: 886-3-4699800 | FAX: 886-3-4699600

E-MAIL: Ldsales@arimalasers.com | www.arimalasers.com

For reference only. Contents above are subject to change without notice.



**Arima**  
LASERS

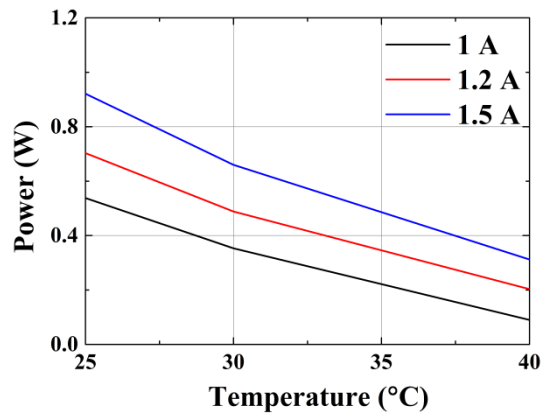
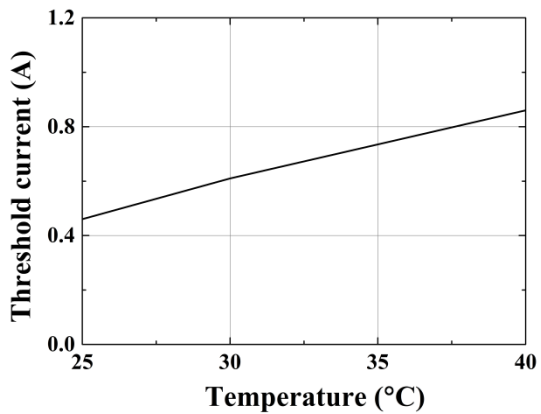
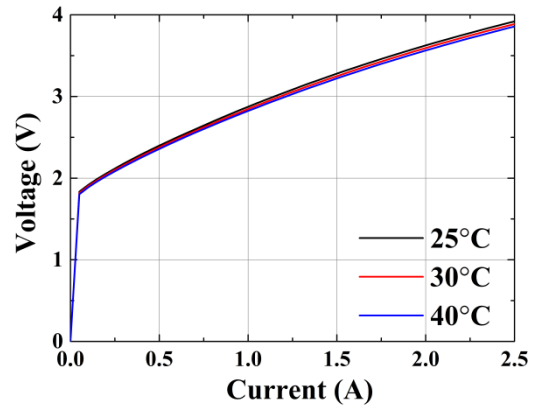
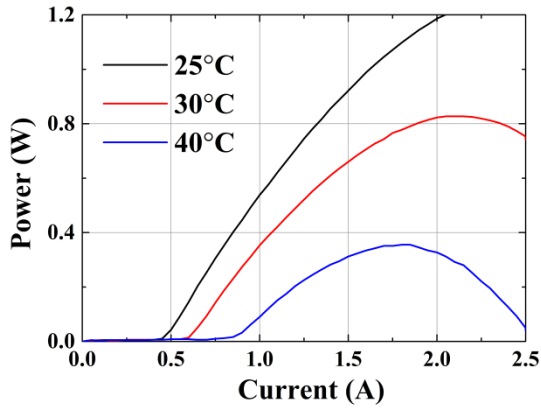
# High Power Red Laser Diode

ADL-63T01NP

6-2D-LD63-086\_Rev.02

## 635nm 0.7W TO9 (9mm) PKG

\* Specifications are subject to change without notice. Ensure that you have the latest specification by contacting us prior to purchase or use of the product.



ARIMA LASERS CORP.

PHONE: 886-3-4699800 | FAX: 886-3-4699600

E-MAIL: [Ldsales@arimalasers.com](mailto:Ldsales@arimalasers.com) | [www.arimalasers.com](http://www.arimalasers.com)

For reference only. Contents above are subject to change without notice.

**Arima**  
LASERS